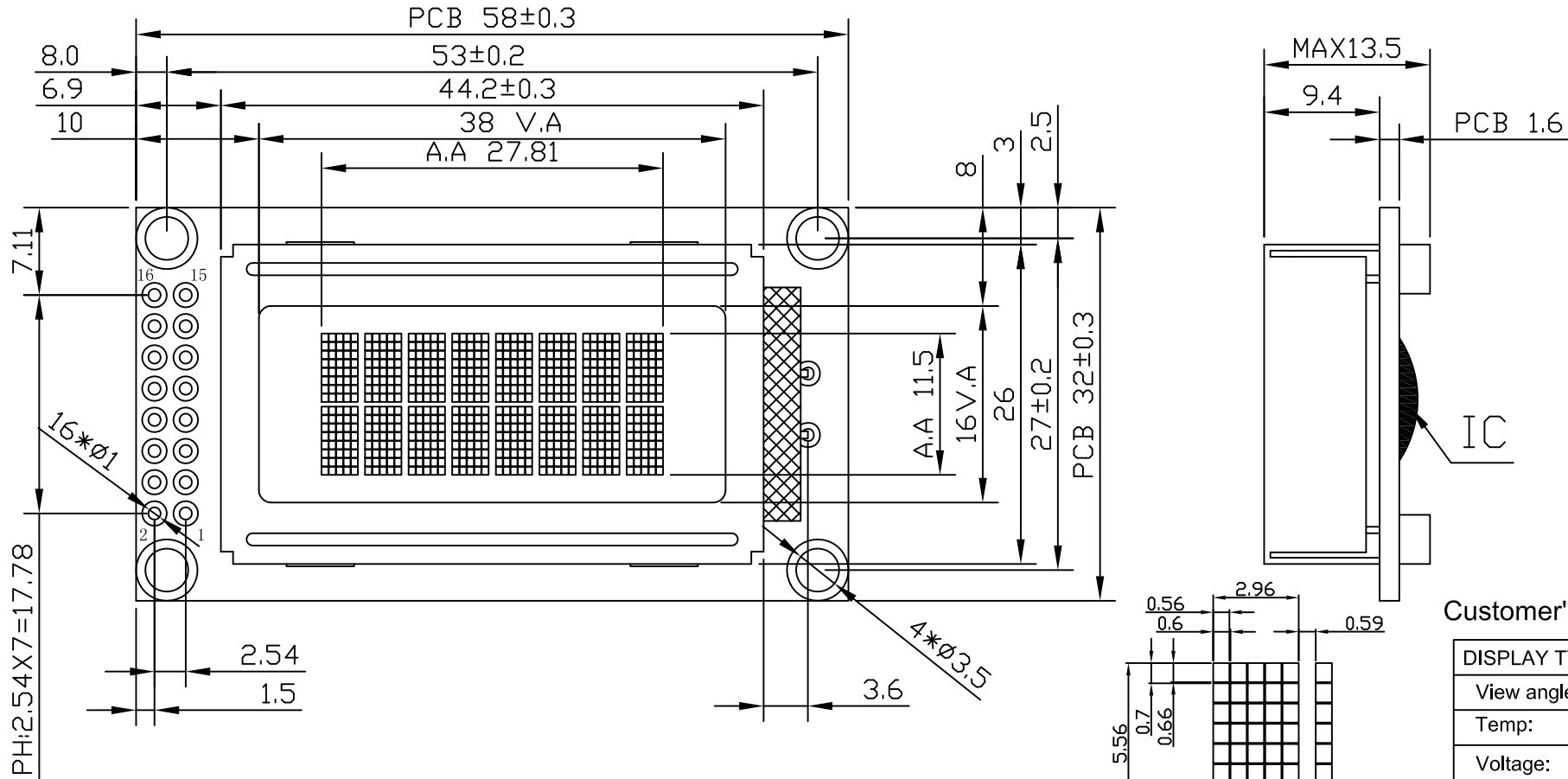


Revised Record

1.0

New issue

2014-05-21

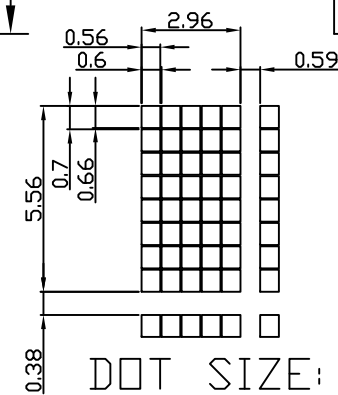


INTERFACE

1	VSS
2	VDD
3	V0
4	RS
5	RW
6	E
7	DB0
8	DB1
9	DB2
10	DB3
11	DB4
12	DB5
13	DB6
14	DB7
15	LED-A
16	LED-K

Customer's Choices:

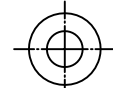
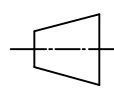
DISPLAY TYPE:	
View angle:	
Temp:	
Voltage:	
IC:	
Fonts:	
Backlight:	
Other:	



NOTES:

- 01. DISPLAY TYPE: STN-BLUE/NEGATIVE/TRANSMISSIVE RoHS
- 02. OPERATING VOLTAGE: VOP=4.7V,VDD=5.0V
- 03. OPERATING TEMPERATURE: -20°C~+70°C
- 04. STORAGE TEMPERATURE: -30°C~+80°C
- 05. DRIVE MODE: 1/16DUTY,1/5BIAS
- 06. VIEWING DIRECTION: 6:00
- 07. DRIVE IC: ST7066U(OR-EQV)
- 08. CONNECTOR: ZEBER
- 09. BACKLIGHT: LED(WHITE)
- 10. CUSTOMER'S PART ID: BLAZE\_STANDARD\_PRODUCT

**BLAZE** Blaze Display Technology Co.,Ltd.

DESIGNED BY: BDT-31	<b>BCB0802-02B-SERIES</b>	VERSION: 1.0
CHECKED BY: BDT-06	 	PAGE 1 OF 1
APPROVED BY: BDT-01		UNIT: mm
Website: <a href="http://www.blazedisplay.com">http://www.blazedisplay.com</a>		DATE: 2014-05-21